

The 462-metre-high Lakhta tower in St. Petersburg is the tallest building in Europe. The façade area is about the size of 14 football pitches.

Mit 462 Höhenmetern ist der Lakhta Turm in St. Petersburg das höchste Gebäude in Europa. Die Fläche der Glasfassade ist vergleichbar mit ca. 14 Fußballfeldern.



Like a five-pointed star: The plan of the 13-metre-high spire corresponds back to the plan of the ground floor. Einem fünfzackigen Stern ähnlich: Der Grundriss der 13 Meter hohen Turmspitze gleicht wieder dem Grundriss des Erdgeschosses.

Der Turm im Lakhta Center

Ein Stern dreht 462 Meter gen Himmel

Ein Fassadenkleid von 73.240 m² umspannt den 462 Meter hohen Lakhta Turm in St. Petersburg. Im Januar dieses Jahres haben die Monteure von Gartner die ca. 13 Meter hohe Edelstahlspitze aufgesetzt, seit dieser Aktion ist das Gebäude das höchste in Europa. Im Jahr 2015 wurde Josef Gartner aus Gundelfingen mit der Fassade samt Spitze beauftragt.

Online Plus

www.metallbau-magazin.de
Webcode MB39W6TA

Autor: Stefanie Manger

Der Bauherr Gazprom hat sich mit seiner neuen Zentrale im Primorsky District direkt am Finnischen Meerbusen etwa zehn Kilometer nordwestlich der russischen Hafenmetropole eine triumphale Landmarke gesetzt. Die Fassadenfläche ist vergleichbar mit ca. 14 Fußballfeldern. Das bayerische Unternehmen Gartner ist mit solchen Mammutprojekten vertraut, hat umfassende Erfahrungen mit der Ausführung der Gebäudehüllen der Elbphilharmonie in Hamburg oder der Apple-Zentrale in Cupertino.

Der Entwurf des Lakhta Towers stammt vom Moskauer Architekten Gorprojekt ZAO. Dynamisch und filigran schraubt sich der gläserne Skyscraper um einen runden Kern über 110 Geschosse – einschließlich der technischen Ebenen – 462 Meter hoch. Der Grundriss des fünfzackigen Sterns dreht sich pro Etage um 0,82 Grad. Um diesen Winkel sind die Geschossdecken zueinander verdreht, sodass jedes Stockwerk eine andere Grundrissfläche und Orientierung hat. Um diese komplizierte Geometrie in der Fassade bei glatter Oberfläche umzusetzen, wurden bis zu 40 mm kalt gebogene Scheiben verwendet.

Fläche und Umfang von drei Geschossen veranschaulichen die dynamische Geometrie des Turms:

- 5. Etage: Fläche: 2.446 m² Umfang: 202 m
- 25. Etage: Fläche: 2.684 m² Umfang: 214 m
- 73. Etage: Fläche: 1.201 m² Umfang: 146 m

Der untere Teil der Fassade ist nach außen geneigt, in der Mitte erreicht der Wolkenkratzer seine maximale Breite. Oberhalb dieser neigt sich die Fassade nach innen und läuft spitz zu. Grundriss der Decke über der letzten Etage ist gleich der Turmspitze wieder der fünfzackige Stern vom Erdgeschoss.

Die Turmspitze

Der Bau der Turmspitze aus Edelstahl war ehrenvoll wie technologisch herausfordernd. Die rund zehn Tonnen schwere Turmspitze wurde im Werk in Gundelfingen aus bis zu 8 cm dicken Edelstahlblechen gefertigt.

Die Formbleche wurden laser- und wasserstrahlgeschnitten und dann zu einer komplexen Konstruktion geschweißt und verschraubt. Für die Verkleidung der darunterliegenden Geschos-

The Lakhta tower

A star turning 462 metres towards heaven

A 73,240 m² façade wraps around the 462-metre-high Lakhta tower in St. Petersburg. In January of this year, fitters from Gartner installed the approximately 13-metre-high stainless steel spire, making the building the tallest in Europe. In 2015, Josef Gartner from Gundelfingen was commissioned with the façade and spire.

Author: Stefanie Manger

The developer Gazprom has set a triumphant landmark with its new headquarters in Primorsky District, right on the Gulf of Finland, about ten kilometres north-west of the Russian port city. The façade area is about the size of 14 football pitches. The Bavarian company Gartner has extensive experience in completing such mammoth projects, having produced building shells for the Elb Philharmonic Hall in Hamburg or the Apple headquarters in Cupertino.

The concept for the Lakhta tower came from Moscow architect Gorprojekt ZAO. Dynamic and intricate, the glass skyscraper winds around a round core over 110 storeys – including the technical levels – to a height of 462 meters. The five-pointed star's floor plan rotates 0.82 degrees per storey. The floor slabs are twisted around each other at this angle, so that each level has a different floor plan area and orientation. In order to achieve this complicated geometry with smooth surface façade, cold-bent panes up to 40 mm thick were used.

The area and perimeter of three storeys illustrate the dynamic geometry of the tower:

- 5th floor: Area: 2,446 m² Perimeter: 202 m
- 25th floor: Area: 2,684 m² Perimeter: 214 m
- 73rd floor: Area: 1,201 m² Perimeter: 146 m

The lower part of the façade is angled outwards, and the skyscraper reaches its maximum width in the centre. Above this, the façade inclines inwards all the way up to the spire. The ceiling's floor plan above the last floor repeats the five-pointed star from the ground floor, as does the spire itself.

The spire

The construction of the stainless steel spire was both an honour and a technological challenge. The approximately ten-ton spire was made in the factory in Gundelfingen from up to 8-cm-thick stainless steel sheets.

The moulded sheets were laser- and water-jet-cut and then welded and bolted to form a complex construction. For the cladding of the spire's lower floors, different façade types made of steel were used as well as a stainless steel net and stainless steel profiles. The design looks as transparent as glass.

Gartner commissioned the wind assessment from RWDI in Toronto. For the wind-permeable spire with stainless steel net, ex-

tensive wind tunnel tests were conducted to prevent icing such as icicles, buildups of snow and ice etc. at various temperatures.

For the typical elements measuring 11.8 m², the test determined the following extreme values:

Negative maximum pressure (suction): - 3.0 kPa
Positive maximum pressure: + 1.6 kPa

For smaller triangular elements tested for the highest wind load, the following values resulted:

Negative maximum pressure (suction): - 4.0 kPa
Positive maximum pressure: + 2.0 kPa

The 7.6-metre-long upper spire and the 5.3-metre-long lower spire were loaded onto two trucks at the Gundelfingen factory and driven 2,300 kilometres to St Petersburg as a special consignment. There, Gartner fitters installed LED lighting, a flight warning light and an anti-ice heater on the spire.

At the construction site, the two elements were lifted by a jib tower crane with a tower system reaching a height of 440 m. A total of ten rotating tower cranes were positioned at the construction site. The largest jib tower crane has a maximum load capacity of 64 t. The cranes reach lifting speeds of up to 176 m/min.

Façade with all-glass buffer zones

From the ground floor, the star's five points form the wings of the building with increasing height. Between the outer edges of these wings five atria are arranged, which are two storeys high. In the architectural design, these glass rooms are conceived as lounge areas; in building technology terms, they are buffer zones for temperature control: in winter as a heat buffer, in summer for natural ventilation.

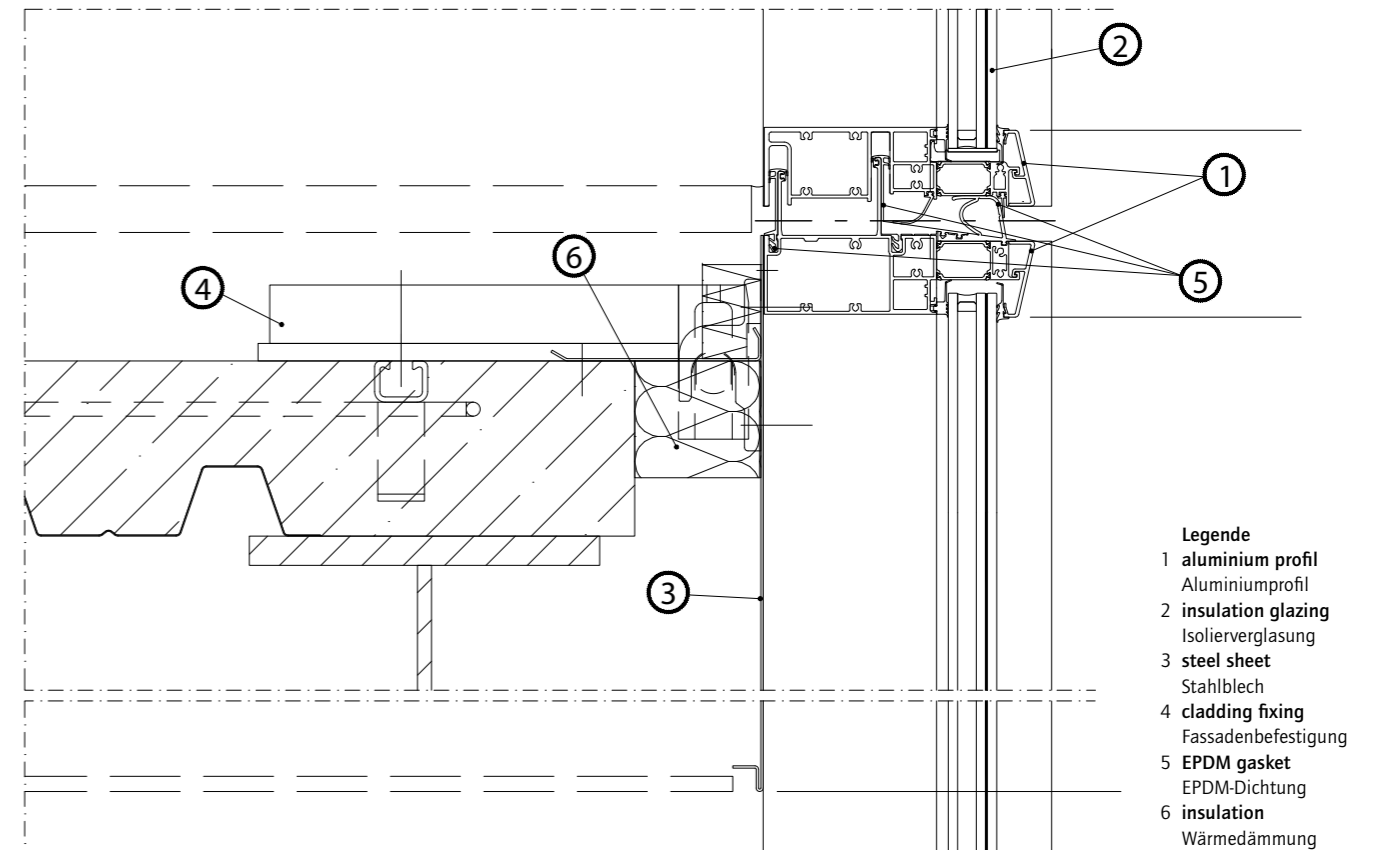
In order to ventilate the atria in summer, two approx. 1.2 x 0.9 m casements per floor are integrated into the corner elements of the outer façade. On two sides of the room, four casements (about 1.2 x 0.9 m) per side can be opened. The corresponding four casements on the inner glass wall serve for ventilation.

The window casements are operated automatically via the building technology's central bus control system depending on wind speed and wind direction, because the control system is of course intelligently networked with wind sensor measurements and other weather information.

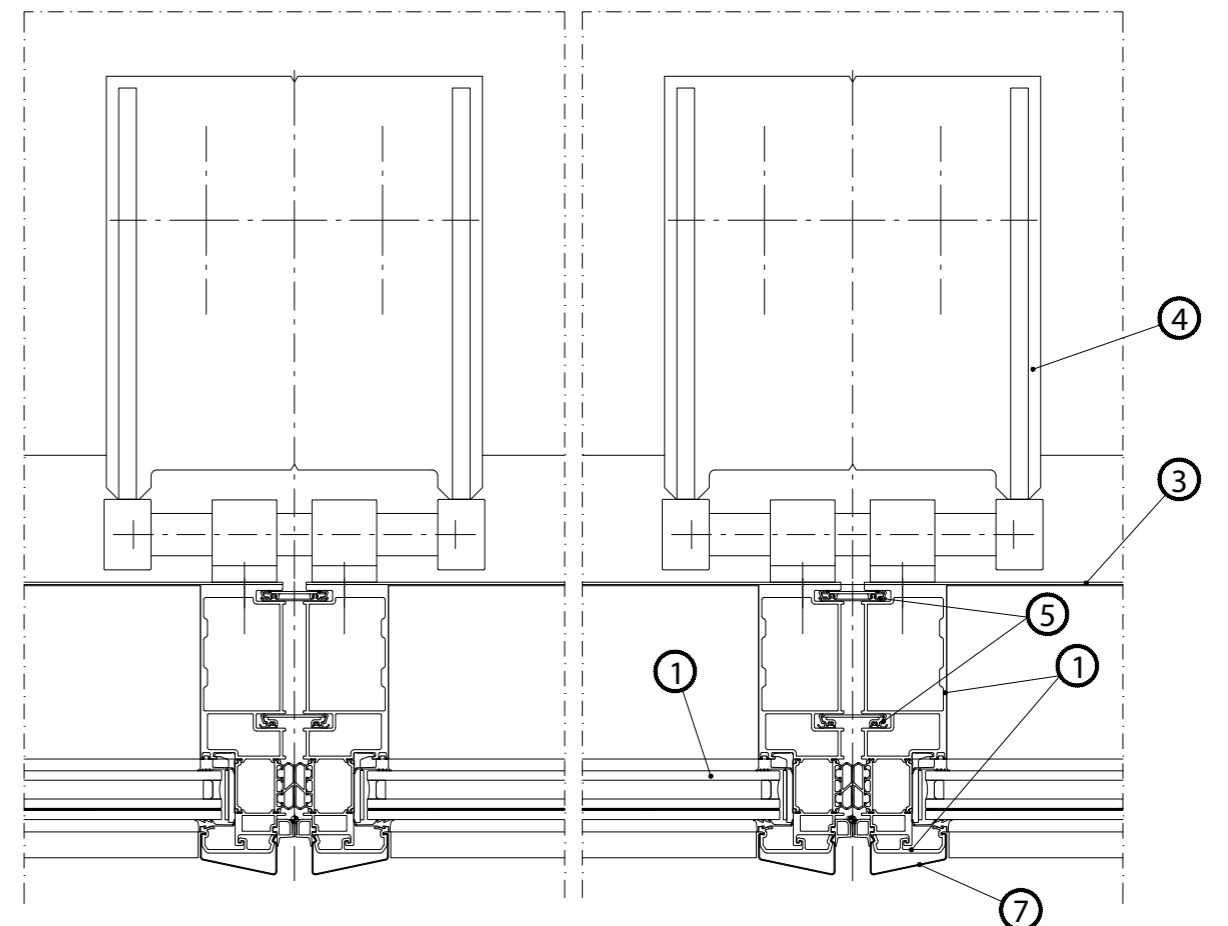


Online Plus

www.metallbau-magazin.de
Webcode MB39W76U



WT1 - single story cladding / vertical section (not to scale)
WT1-Fassadentyp/ Vertikalschnitt (ohne Maßstab)



WT1 - single story cladding / horizontal section (not to scale)
WT1-Fassadentyp/ Horizontalschnitt (ohne Maßstab)



In wintertime the fitters worked a couple of days at 25 degrees below zero at the construction site. To heat this areas they were delimited with curtains.
Die Monteure haben im Winter teils bei minus 25 Grad auf der Baustelle gearbeitet. Montagestandorte wurden räumlich mit Behängen abgegrenzt und beheizt.

The natural ventilation, the high thermal insulation of the outer façade under Russian temperature conditions and the optimised use of daylight through special panes have contributed to the fact that the Lakhta tower has already received the LEED Gold pre-certificate in 2015. Compared to conventional skyscrapers, the complex will use up to 40 percent less energy thanks to energy-efficient heating, cooling and lighting.

The construction of the façade

The façades are made of 1,550 metric tons of aluminium and 1,100 metric tons of steel, whereby the outer façade has an area of approx. 73,000 m² and the inner façade approx. 25,000 m². The latter mainly comprises the glass walls for the inner terminations of the atria. The German-Russian cooperation for the façade construction in Gundelfingen, Levashovo and St Petersburg as well as planning activities at the Gartner Switzerland office is managed by project managers from Gundelfingen.

The elements of the outer façade are predominantly in the shape of a parallelogram; at 4.2 x 2.8 m, they weigh up to 790 kg. In total, there are over 16,500 different and partly bent elements. The unique pieces are all equipped with an RFID chip so that they can be tracked accurately in the logistics chain.

The aluminium-glass façade is fastened to steel girders in the atria's area; these girders span two storeys despite the twisting of the floor slabs. A steel girder must absorb the wind loads of two superimposed elements.

A total of six different types (WT1 – 6) were produced for the tower façade's construction. The main façade is made up of the WT1 glass façades of the office areas, the WT2 glass façades of the atriums and the WT3 of the corner façades with stainless steel casements.

The 4,210 elements of the type WT1, the majority of which are rhomboid in shape and partly bent, have an axial dimension of 2,780 mm, for example, and are suspended on each floor. Although the 3,470 elements of the type WT2 are similar in their axial dimensions, they are fastened to steel girders over two storeys as the atria's cladding.

The WT1 and WT2 elements were assembled in the factory in Levashovo, while the WT3 elements and corner posts for closing the corners were assembled in Gundelfingen along with the complete steel construction and prefabrication of all aluminium profiles. Other types differ in the axial dimension and shape or have been made for the floors' corner areas and the spire.

Cold-bent panes

The façade must follow the floors' slight twisting, which requires bent window panes. Each element's three-dimensional frame consists of four straight profiles, which are assembled into a non-flat, three-dimensional element. The aluminium profiles were connected to each other with special, spatially twisted mitres to achieve uniform transitions of the individual façade elements and homogeneous reflections without disturbing offsets.

se der Turmspitze wurden unterschiedliche Fassadentypen aus Stahl genutzt sowie ein Edelstahlnetz und Edelstahlprofile. Das Design wirkt ähnlich transparent wie Glas.

Das Windgutachten hat Gartner in Toronto bei RWDI beauftragt. Für die winddurchlässige Spitze mit Edelstahlnetzen wurden umfangreiche Windkanaltests durchgeführt, um eine Vereisung wie Eiszapfen, Anhaftungen von Schnee und Eis etc. bei verschiedenen Temperaturen zu vermeiden.

Für die typischen 11,8 m² großen Elemente ermittelte die Prüfung folgende extremen Werte:

Negativer Maximaldruck (Sog)	- 3.0 kPa
Positiver Maximaldruck:	+ 1.6 kPa

Für kleinere dreieckige Elemente getestet auf die höchste Windlast ergaben sich folgende Werte:

Negativer Maximaldruck (Sog):	- 4.0 kPa
Positiver Maximaldruck:	+ 2.0 kPa

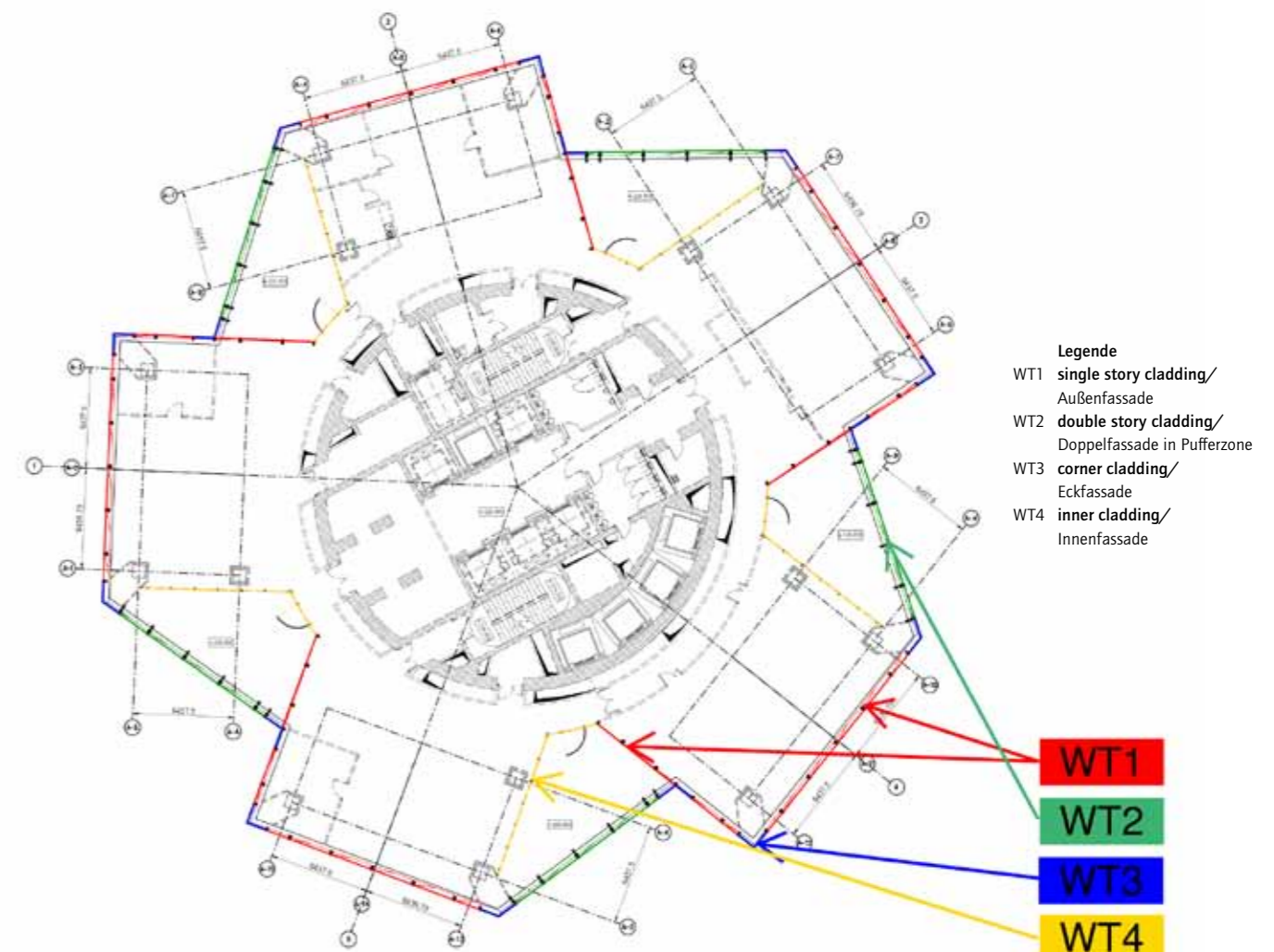
Die 7,6 Meter lange obere und die 5,3 Meter lange untere Spitze wurden im Gundelfinger Werk auf zwei Lkws geladen und als Sondertransport 2.300 Kilometer nach St. Petersburg gefahren. Dort haben Gartner Monteure die Turmspitze mit einer LED-Beleuchtung, einem Flugwarnlicht sowie einer Heizung gegen Eis gesetzt.

An der Baustelle wurden die beiden Elemente von einem Verstellauslegerkran mit einem Turmsystem, das eine Höhe von 440 m erreicht, gehoben. Insgesamt waren zehn Turmdrehkräne auf der Baustelle positioniert. Der größte Verstellauslegerkran hat eine maximale Tragfähigkeit von 64 t. Die Kräne erreichen Hubgeschwindigkeiten von bis zu 176 m/min.

Fassade mit Ganzglas-Pufferzonen

Vom Parterre aus bilden sich mit zunehmender Höhe die fünf Zacken des Sterns zu Gebäudeflügeln aus. Zwischen den Außenkanten dieser Flügel sind fünf Atrien angeordnet, die zwei Geschosse hoch sind. Im architektonischen Konzept sind diese Glasräume als Aufenthaltsbereiche konzipiert, gebäudetechnisch sind es Pufferzonen zur Temperaturregelung: im Winter als Wärmepuffer, im Sommer zur natürlichen Belüftung.

Um die Atrien im Sommer zu belüften, sind in die Ecken der Außenfassade jeweils zwei ca. 1,2 x 0,9 m große Flügel je Geschoss integriert. An zwei Raumseiten lassen sich je vier Flügel (ca. 1,2 x 0,9 m) öffnen. Die korrespondierenden vier Flügel an der Innenglaswand dienen zur Entlüftung. Die Fensterflügel werden automatisch über die zentrale BUS-Steuerung der Gebäudetechnik in Abhängigkeit von Windgeschwindigkeit und Windrichtung bedient, denn selbstverständ-



The floor plan at mid-level of the tower shows five rectangular building wings and five buffer zones. For natural ventilation they were arranged as atrias.
Der Grundriss auf mittlerer Höhe des Turms zeigt fünf rechteckige Gebäudeflügel und fünf Pufferzonen, die zur natürlichen Belüftung als Atrien gestaltet wurden.



In winter the metalworkers were in the freezing cold at the construction site, nevertheless while taking measurement they had a gigantic vista.

Auf der Baustelle war es im Winter zwar klirrend kalt, nichtsdestotrotz war beim Aufmaß die Aussicht auf den Finnischen Meerbusen gigantisch.

In contrast to warm-bent panes like the glass façades of the Elb Philharmonic Hall in Hamburg, the flat, coated and printed cold-bent panes are only bent by the façade builder when assembling the element. This results in homogeneously bent panes without unevenness and without restrictions on coating and printing. The pane's mechanical mount is crucial. However, the degree of bending is less than with warm-bent glasses.

Cold deformation does not affect the heat and sun protection properties of the glass. It is essential that the glass edge seal is made suitable for a cold bend with its primary and secondary seals; these provide a sufficient coverage of about 15 mm to

ensure the long-term functionality of the insulating glass unit, otherwise the relative movement of the edges to each other could affect the impermeability and durability of the edge seal. The bent glass pane must have a sufficient mechanical attachment in the rigid profile frame, otherwise the glass pane would return to its original state without bending.

Façades with cold-formed glass have been more and more in demand recently. In Moscow, for example, Gartner has clad the Evolution Tower with cold-formed glass so that the tower façade revolves homogeneously without offsets.

Energy-efficient glass panes

For the façade elements, only 2-pane insulating glass was used, consisting of white glass with sun protection coating. Special sun protection appliances were not commissioned; the glare protection will be installed later on site. The large panoramic windows are mainly used for better use of daylight. The external façade's sound insulation is Rw41 dB.

Since the inner and outer façades' panes are coated differently, differences in reflection and transparency arise at the tower's five building edges. The WT1 façade type has panes with a light transmittance level (LT) of 59% and a total energy transmittance level (g) of 31%. This element type of the outer façade in the office area as well as the WT4 type of the inner façade are glazed with highly reflective panes for privacy. The interior should not be able to be seen.

The outer façade was glazed with double glazing: 1 x LSG made of 2 x 8 mm semi-tempered white glass facing outwards and a sun protection layer of Saint Gobain „Cool-Lite SKN 176 II“ on position 4. Towards the room is an 8 mm single-pane safety glass made of white glass.



The fitters installed more than 16.500 unique alu-glass-elements. Most of them have a format of rhomboid and one of them weighs over 700 kilogramm. Die Monteure bauten über 16.500 unterschiedliche Alu-Glas-Elemente ein. Die meisten Fassadenelemente am Turm haben die Form eines Parallelogramms.

lich ist die Steuerung mit Messungen des Windsensors und weiteren Informationen zum Wetter intelligent vernetzt.

Die natürliche Belüftung, die hohe Wärmedämmung der Außenfassade unter russischen Temperaturbedingungen und die optimierte Tageslichtnutzung durch spezielle Scheiben haben

dazu beigetragen, dass der Lakhta Tower bereits 2015 das Vorzertifikat LEED Gold erhalten hat. Im Vergleich zu Hochhäusern in konventioneller Bauweise soll der Komplex dank energieeffizienter Heizung, Kühlung und Beleuchtung bis zu 40 Prozent weniger Energie verbrauchen.

Josef Gartner

Rooted in 150 years of metal construction

Gartner was originally a family business in Gundelfingen – rooted in the tradition of classic metal construction. The company has been part of the Permasteelisa Group since 2001. With more than 6,500 employees, Permasteelisa generates around 1.4 billion euros annually.

Gartner's revenue share is around one quarter. As part of the Permasteelisa Group, Gartner has access to a near-global network and has its own offices in diverse markets.

In 2009, Gartner set up a branch in St Petersburg; an office was added in Moscow a little later. The Levashovo factory was opened in 2015. In total there are 190 employees in Russia.

The factory in Levashovo offers a 15,000 square meter covered area. Around 55 Russian employees were hired. Previously mainly active in the automotive industry, they were qualified for façade construction. A Russian employee manages the factory, and three production specialists from Gundelfingen were responsible for assembling the Lakhta façade on site and providing the required knowledge to Russian colleagues.

There are numerous façade projects in Russia: in Moscow, for example, Gartner dressed the 250-metre Evolution Tower with a bent-glass façade, spiralling like a DNA strand into the sky. For the 339-metre Mercury City Tower, glass façades were made for a six-storey penthouse at the top of the tower, including slanted gate systems with casement dimensions of 5 x 6 metres.

Gartner is currently building a sustainable Closed-Cavity Façade (CCF) for The Circle complex at Zurich Airport. A 36-metre-high glass dome with glass bridges is being built for the Academy Museum of Motion Pictures in Los Angeles, the academy that awards the Oscars every year.

Recent orders include façades at the transport service provider Uber's headquarters at the Mission Tower in San Francisco, the largest residential building on the west coast of America, and the CCF at 22 Bishopsgate, London, the tallest skyscraper in the City at 288 meters, as well as the façades for Google in London.

www.josef-gartner.permasteelisagroup.com

Josef Gartner

Seit 150 Jahren im Metallbau verwurzelt

Gartner war ursprünglich ein Familienbetrieb in Gundelfingen – in der Tradition des klassischen Metallbaus verwurzelt. Seit 2001 gehört das Unternehmen zur Permasteelisa Gruppe. Mit über 6.500 Mitarbeitern erwirtschaftet Permasteelisa jährlich rund 1,4 Milliarden Euro.

Der Umsatzanteil von Gartner beträgt rund ein Viertel. Als Teil der Permasteelisa Gruppe kann Gartner auf ein nahezu weltweites Netzwerk zugreifen und ist in diversen Märkten mit eigenen Büros vertreten.

Im Jahr 2009 hat Gartner eine Niederlassung in St. Petersburg aufgebaut, wenig später kam ein Büro in Moskau hinzu. Das Werk Levashovo wurde im Jahr 2015 eröffnet. Insgesamt sind in Russland 190 Mitarbeiter beschäftigt. Das Werk in Levashovo bietet eine 15.000 qm große überdachte Fläche. Rund 55 russische Mitarbeiter wurden eingestellt. Zuvor hauptsächlich im Automobilbau tätig, wurden sie für den Fassadenbau qualifiziert. Ein russischer Mitarbeiter leitet die Fabrik, für den Zusammenbau der Lakhta Fassade waren drei Fertigungsspezialisten aus Gundelfingen vor Ort und für die Vermittlung des nötigen Wissens an russische Kollegen zuständig.

Die Fassadenprojekte in Russland sind zahlreich: In Moskau kleidete Gartner beispielsweise den 250 Meter Evolution Tower mit einer gebogenen Glasfassade ein, der sich wie ein DNA-Strang spiralförmig in den Himmel dreht. Für den 339 Meter Mercury City Tower wurden Glasfassaden für ein sechsstöckiges Penthaus an der Spitze des Turms gefertigt, darunter schräg liegende Toranlagen mit Flügelabmessungen in 5 x 6 Metern.

Aktuell baut Gartner eine nachhaltige Closed-Cavity-Fassade (CCF) für den Gebäudekomplex The Circle am Flughafen Zürich. Für das Academy Museum of Motion Pictures in Los Angeles entsteht eine 36 Meter hohe Glaskuppel mit Glasbrücken, diese Akademie verleiht jährlich die Oscars.

Zu den jüngsten Auftragseingängen gehören die Fassaden der Firmenzentrale des Fahrdienstleisters Uber in San Francisco, des Mission Towers in San Francisco, das größte Wohngebäude der amerikanischen Westküste, und die CCF-Fassade für 22 Bishopsgate in London – mit 288 Metern der künftig höchste Skyscraper in Londons City – sowie die Fassaden für Google in London.

www.josef-gartner.permasteelisagroup.com

The Lakhta Center's floor area of 170,000 m² not only includes the tower, but also a multifunctional building and other buildings.

Das Lakhta Center ist ein Gebäudekomplex mit dem Turm als Landmarke. Weitere Objekte mit Glasfassaden schließen sich an.

Die Konstruktion der Fassade

In den Fassaden sind 1.550 Tonnen Aluminium und 1.100 Tonnen Stahl verarbeitet, wobei die Außenfassade eine Fläche von ca. 73.000 m² hat und die Innenfassade ca. 25.000 m². Letztere umfasst hauptsächlich die Glaswände für die inneren Abschlüsse der Atrien. Die deutsch-russische Kooperation des Fassadenbaus in Gundelfingen, Levashovo und St. Petersburg sowie Planungsaktivitäten des Büros der Gartner Schweiz wird von Projektleitern aus Gundelfingen gesteuert.

Die Elemente der Außenfassade haben überwiegend das Format eines Parallelogramms, in der Größe von 4,2 x 2,8 m sind sie bis zu 790 kg schwer. Insgesamt sind es über 16.500 unterschiedliche sowie teils gebogene Elemente. Die Unikate sind allesamt mit einem RFID-Chip ausgestattet, sodass sie sich in der Logistikkette genau verfolgen lassen.

Die Aluminium-Glasfassade ist im Bereich der Atrien an Stahlträgern befestigt, die sich trotz Verdrehung der Geschosdecken über zwei Geschosse spannen. Ein Stahlträger muss die Windlasten von zwei übereinanderliegenden Elementen aufnehmen.

Für die Fassadenkonstruktion des Turms wurden insgesamt sechs verschiedene Typen (WT1-6) gefertigt. Die Hauptfassade bilden die WT1-Glasfassaden der Bürobereiche, die WT2-Glasfassaden der Atrien sowie die WT3 der Eckfassaden mit Öffnungsflügeln in Edelstahl.

Die 4.210 Elemente vom Typ WT1, in der überwiegenden Zahl Rhomboids – teils gebogen, haben beispielsweise ein Achsmaß von 2.780 mm und werden an jedem Geschoss eingehängt. Die 3470 Elemente vom Typ WT2 gleichen sich zwar im Achsmaß, werden aber als Verkleidung der Atrien über zwei Geschosse an Stahlträgern befestigt.

Die WT1- und WT2-Elemente wurden im Werk Levashovo zusammengebaut, die WT3-Elemente und Eckpfosten zum Schließen der Ecken in Gundelfingen, ebenso wie der komplette Stahlbau und die Vorfertigung aller Aluminiumprofile. Weitere Typen unterscheiden sich im Achsmaß und Format oder sind für die Eckbereiche der Geschosse und die Turmspitze gefertigt.

Kaltgebogene Scheiben

Die Fassade muss der leichten Verdrehung der Geschosse zueinander folgen, dafür sind gebogene Scheiben nötig. Der dreidimensionale Rahmen der einzelnen Elemente besteht aus vier geraden Profilen, die zu einem nicht planen, dreidimensionalen Element zusammengebaut sind. Die Aluminiumprofile wurden dafür mit speziellen, räumlich verdrehten Gehungen zueinander verbunden, um gleichmäßige Übergänge der einzelnen Fassadenelemente sowie homogene Spiegelungen ohne störende Versätze zu erreichen.

Im Unterschied zu warm gebogenen Scheiben wie bei den gläsernen Fassaden der Elbphilharmonie in Hamburg werden die planen, beschichteten und bedruckten Scheiben bei einer kalten Biegung erst vom Fassadenbauer beim Zusammenbau des Elements gebogen. So entstehen homogen gebogene Scheiben ohne Unebenheiten und ohne Einschränkungen bei Beschichtung und Bedruckung. Entscheidend ist die mechanische Halterung der Scheibe. Allerdings ist der Biegegrad im Vergleich zu warm gebogenen Gläsern geringer.

Bei einer Kaltverformung werden die Wärme- und Sonnenschutzigenschaften des Glases nicht beeinträchtigt. Wesentlich ist, dass der Glasrandverbund für eine Kaltbiegung mit seiner Primärdichtung und Sekundärdichtung geeignet ist, dieser eine ausreichende Überdeckung von ca. 15 mm zu bieten, um die dauerhafte Funktionstüchtigkeit der Isolierglaseinheit sicherzustellen: Die Relativbewegung der Kanten zueinander könnte sonst die Dichtigkeit und Dauerhaftigkeit des Randverbunds beeinflussen. Eine ausreichende mechanische Befestigung der gebogenen Glasscheibe im steifen Profilrahmen ist notwendig, da die Glasscheibe sonst in den Ursprungszustand ohne Biegung zurückkehren würde.

Fassaden mit kaltverformten Gläsern werden jüngst häufiger nachgefragt. In Moskau hat Gartner beispielsweise den Evolutions Tower mit kaltverformten Gläsern verkleidet, sodass sich die Turmfassade ohne Versätze homogen dreht.

Energieeffiziente Glasscheiben

Für die Fassadenelemente wurde ausschließlich 2-Scheiben-Isolierglas verwendet, bestehend aus Weißglas mit Sonnenschutzbeschichtung. Spezielle Sonnenschutzvorrichtungen wurden nicht beauftragt, der Blendschutz wird später bauseits angebracht. Die großen Panoramafenster dienen vor allem der besseren Tageslichtnutzung. Die Schalldämmung der Außenfassade beträgt Rw 41 dB.

Da die Scheiben der Innen- und Außenfassade unterschiedlich beschichtet sind, ergeben sich an den fünf Gebäudekanten des Turms Unterschiede in Reflexion und Transparenz. Der WT1-Fassadentyp hat Scheiben mit einem Lichttransmissionsgrad (LT) von 59% und einen Gesamtenergiedurchlassgrad (g) von 31%. Dieser Elementtyp der Außenfassade im Bürobereich wie auch der WT4-Typ der Innenfassade sind für den Sichtschutz mit hochreflektierenden Scheiben verglast. Der Innenbereich soll vor Einblicken geschützt sein.

Die Außenfassade wurde mit 2-fach-Isolierglas verglast: 1 x VSG aus 2 x 8 mm teilvorgespanntem Weißglas nach außen gerichtet und einer Sonnenschutzschicht Saint Gobain „Cool-Lite SKN 176 II“ auf Position 4. Zum Raum hin befindet sich 8 mm Einscheibensicherheitsglas aus Weißglas.

Für die Außenfassade der Pufferzonen (Typ WT2) wurde eine hochtransparente Verglasung (LT = 69%; g=35%) gewählt. Das 2-fach-Isolierglas setzt sich zusammen aus 1 x VSG aus 2 x 8 mm teilvorgespanntem eisenarmen Glas nach außen gerichtet, einer Sonnenschutzbeschichtung auf #2 „Ipsol Bright White“ und einem HP coating auf #4 „Stopray vision 72 T“ von Interpane. Zum Raum hin wurde ebenso eine 8 mm eisenarme ESG Scheibe verwendet.

Die Innenfassade besteht zum überwiegenden Teil aus dem WT4-Typ mit rechteckigen Scheiben und zu einem kleinen Teil aus WT1-Fassadenelementen, die nach innen laufen. WT1 für die Innenfassade besitzt die gleiche Form wie die Außenfassadenelemente, jedoch ist der Glasaufbau ein anderer. Das 2-fach-Isolierglas hat eine 8 mm eisenarme ESG-Scheibe Richtung Pufferzone gerichtet und eine Low-E-Beschichtung auf #2 (ca. 50 % niedrigere Wärmeabstrahlung). Zum Innenraum befindet sich eine VSG aus 2 x 10 mm teilvorgespanntem eisenarmen

OBJEKT

For the outer façade of the buffer zones (type WT2) a highly transparent glazing (LT = 69%, g = 35%) was chosen. The double glazing consists of 1 x LSG made of 2 x 8 mm semi-tempered low-iron glass directed to the outside, a sun protection coating on #2 „Ipsol Bright White“ and an HP coating on #4 „Stoprav vision 72 T“ by Interpane. Towards the room, an 8 mm low-iron TSG pane was also used.

The inner façade consists mainly of the WT4 type with rectangular panes and to a small extent WT1 façade elements that run inwards. WT1 for the inner façade has the same shape as the outer façade elements, but the glass structure is different. The double glazing has an 8 mm low-iron TSG pane towards the buffer zone and a low-E coating at #2 (about 50% less heat radiation). Towards the interior there is an LSG of 2 x 10 mm semi-tempered low-iron glass with a sun protection coating on #4 „Cool-Lite ST Bright Silver“ by Saint Gobain and a black frit for edge coverage on #5.

Standard specifications for the building shell

According to the builder's specifications, the façades should meet international standards: „As far as is technically feasible according to the current state of technology“. The plans were based on the Eurocodes. If Russian standards demanded stricter values, these were stipulated. The requirements of the building location in St Petersburg with regard to heat transfer, wind loads etc. are, of course, based on the Russian standards' specifications.

The design and construction of the steel construction and glass elements followed the respective European standards. On the façade test station in Gundelfingen, air and water resistance, among other things, were tested as well as a dynamic water test performed with an aircraft engine. In the final water-proofness test, Gartner focused on the applicable edge conditions, such as nozzle distance and water pressure, in accordance with the relevant American AMA standard.

Gartner builds assembly platform

Gartner has developed a 4 x 8 m platform so that the rotating tower cranes on site can efficiently pull up three elements each on a rack and set them down on the floors. Within the storey levels, the elements were moved and installed using a standard mini crane.

The assembly of the glass panes at the places where the tower cranes had previously been connected to the building via steel braces was also technologically challenging. In these last glass panes to be mounted, about 140 panes of glass were hoisted by crane on a counterweight lifting beam. At the installation site, the pane had to be cold-bent using a type of screw clamp developed by Gartner and forced into the aluminium frame's pressure bar.

Construction site logistics

The steel construction took place at Gartner in Gundelfingen, and the aluminium profiles were predominantly processed in Gartner's main factory. For the 2,300-km-long route from Gundelfingen to St Petersburg, the lorries needed seven to ten days



each, including customs clearance. The customs clearance of the façade's individual parts was more convenient and cheaper via road transport.

Assembly of the façade elements took place at Gartner's Levashovo factory, with Gartner investing around two million euros in manual assembly line production with sliding tables on castors as well as in the purchase of girder cranes. The finished elements were stored until they were retrieved from the construction site about 20 kilometres away.

At the construction site, eight employees from Gartner Russia were responsible for logistics and material flow. Fifteen fitters were hired for the assembly, and alpinists for the rope assembly. In total, up to 200 employees were working round the clock seven days a week to construct the façade. Of these, 50 employees alone were responsible for site management, which included responsibility for design, logistics, occupational safety and quality control.

Outlook

The tower's element assembly was largely completed in May. Only a few glass panes are missing, in particular where the cranes were formerly connected to the building. However, this should be completed by July.

The skyscraper has a total gross floor area of around 163,000 m². With Gazprom's administrative centre, the building is used by numerous public institutions; it has a conference and modern shopping centre with a cinema, a panoramic restaurant at 315 metres and a viewing platform at about 360 metres. And as it is built so close to the stars, a planetarium naturally comes to mind.

The Lakhta Center's floor area of 170,000 m² not only includes the tower, but also a multifunctional building and other buildings. The complex should be completed by the end of 2018.

The tower is public. At the height of 360 metres is a viewing platform. A wonderful view for those who are free from giddiness.

Der Turm ist öffentlich: Auf 315 Metern Höhe wurde ein Restaurant eingerichtet, auf ca. 360 Meter Höhe eine Aussichtsplattform.

einem Kran an einer Gegengewichtstraverse hochgezogen. Am Einbauort musste die Scheibe mit einer Art Schraubzwinge, die von Gartner entwickelt wurde, kaltgebogen und in die Pressleiste des Aluminiumrahmens gezwängt werden.

Baustellenlogistik

Der Stahlbau erfolgte bei Gartner in Gundelfingen, auch die Aluminiumprofile wurden überwiegend im Gartner-Hauptwerk bearbeitet. Für die 2.300 km lange Strecke von Gundelfingen nach St. Petersburg benötigten die Lkws inklusive der Verzollung jeweils sieben bis zehn Tage. Die Verzollung der einzelnen Teile der Fassade war über den Straßentransport einfacher und günstiger.

Im Gartner Werk Levashovo fand der Zusammenbau der Fassadenelemente statt, zu diesem Zweck investierte Gartner ca. zwei Millionen Euro in eine manuelle Fließbandfertigung mit Schiebeteichen mit Rollen sowie in die Anschaffung von Balkenkränen. Die fertigen Elemente wurden so lange zwischengelagert, bis sie von der ca. 20 Kilometer entfernten Baustelle abgerufen wurden.

Auf der Baustelle waren acht Mitarbeiter von Gartner Russland für Logistik und Materialfluss verantwortlich. Für die Montage wurden fünfzehn Monteure angestellt, für die Seilmontage auch Alpinisten. Insgesamt waren für den Fassadenbau bis zu 200 Mitarbeiter in 24-Stunden-Schichten an sieben Wochentagen tätig. Davon waren allein 50 Mitarbeiter für die Baustellenleitung zuständig, die Verantwortung für Design, Logistik, Arbeitssicherheit und Qualitätsüberwachung inbegriffen.

Ausblick

Im Mai wurde die Elementmontage des Turms weitgehend abgeschlossen. Es fehlen nur wenige Glasscheiben vor allem an den ehemaligen Krananschlüssen am Gebäude. Dies soll jedoch bis Juli abgeschlossen sein.

Der Skyscraper hat insgesamt eine Bruttogeschoßfläche von rund 163.000 m². Neben der Verwaltungszentrale von Gazprom sind im Gebäude zahlreiche öffentliche Institutionen untergebracht, ein Konferenz- und ein Einkaufszentrum mit Kino. Auf 315 Meter Höhe gibt es ein Panoramarestaurant und auf ca. 360 Meter Höhe eine Aussichtsplattform. Und wenn schon so nah an den Sternen gebaut wird, ist ein Planetarium naheliegend.

Zum Lakhta Center mit der Grundfläche von 170.000 m² gehört nicht nur der Turm, sondern auch ein Multifunktionsgebäude und andere Häuser. Ende 2018 soll der Komplex fertiggestellt sein.

Glas mit einer Sonnenschutzbeschichtung auf #4 „Cool-Lite ST Bright Silver“ von Saint Gobain und einem schwarzen Frit zur Randüberdeckung auf #5.

Normvorgaben für die Gebäudehülle

Nach Vorgabe des Bauherrn sollen die Fassaden internationalen Standards entsprechen: „Nach dem aktuellen Stand der Technik bis zum Rande des technisch Machbaren“. Die Planungen gingen von den Eurocodes aus. Falls russische Normen strengere Werte forderten, waren diese Maßgabe. Die Anforderungen des Gebäudestandortes in St. Petersburg hinsichtlich Wärmedurchgang, Windlasten etc. basieren selbstverständlich auf den Angaben der russischen Normen.

Die Bemessung und Konstruktion der Stahlbau- und Glaselemente folgte der jeweiligen europäischen Norm. Auf dem Fassadenprüfstand in Gundelfingen wurden u.a. Luft- und Wasserdichtigkeit getestet sowie ein dynamischer Wassertest mit einem Flugzeugmotor durchgeführt. Beim Wasserdichtigkeitstest am fertigen Bau richtete sich Gartner in Bezug auf die anzuwendenden Randbedingungen wie Abstand der Düse und anliegender Wasserdruck nach der einschlägigen amerikanischen Norm AMA.

Gartner baut Montageplattform

Damit die Turmdrehkräne auf der Baustelle effizient jeweils drei Elemente auf einem Gestell hochziehen und auf den Geschossen absetzen konnten, hat Gartner eine 4 x 8 m große Plattform entwickelt. Innerhalb der Geschossebenen wurden die Elemente mit einem Standard-Minikran bewegt und eingebaut.

Technologisch anspruchsvoll war zudem die Montage der Glasscheibe an den Stellen, wo zuvor der Turmkran über Stahlstreben ans Gebäude angebunden war. Bei diesen letzten zu montierenden Glasscheiben wurden ca. 140 Glasscheiben mit